

Single Sheet Toilet Paper Dispenser

Einzelblatt Toilettenpapier Spender

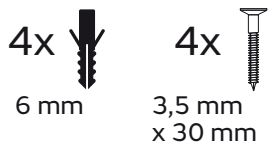
Bulkpack dispenser

Distributeur papier toilette feuille unique

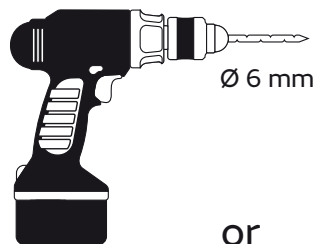
Dozownik na papier toaletowy w listkach

Item No.: **331480**

Supplied



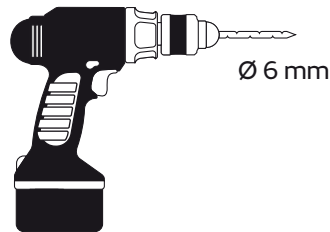
Needed tools



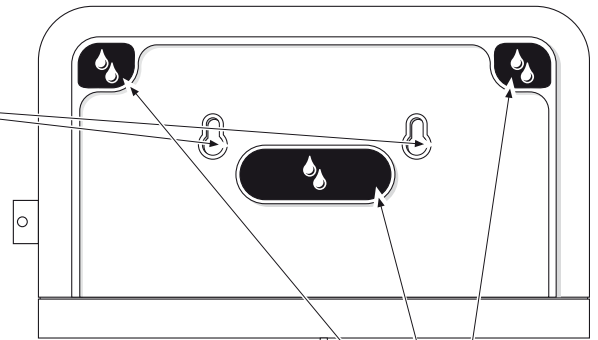
or



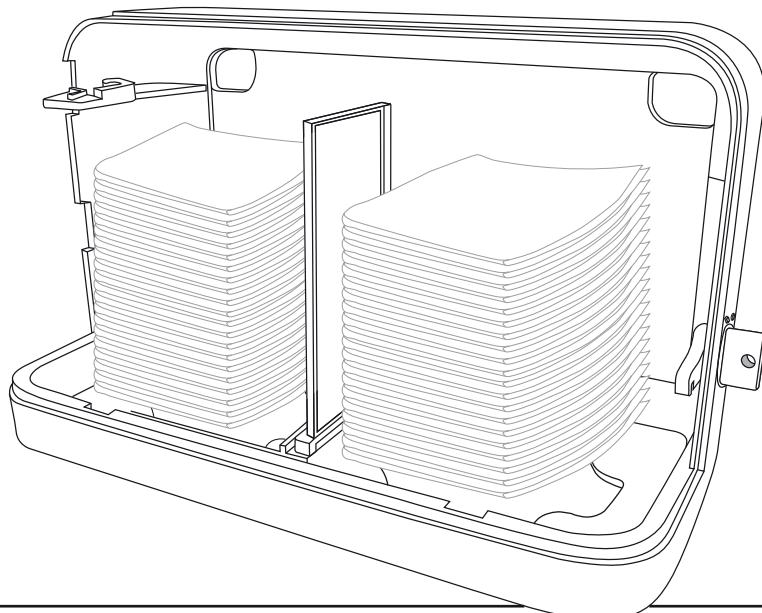
Attachment



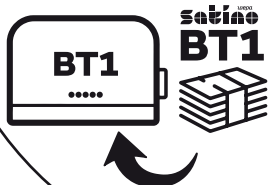
mark by pen + drill holes



To fill in single toilet paper sheets



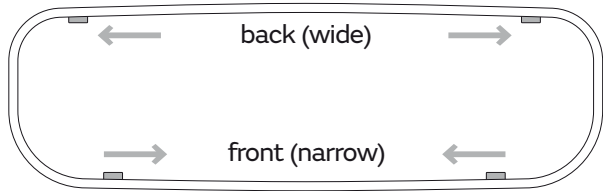
Suitable for



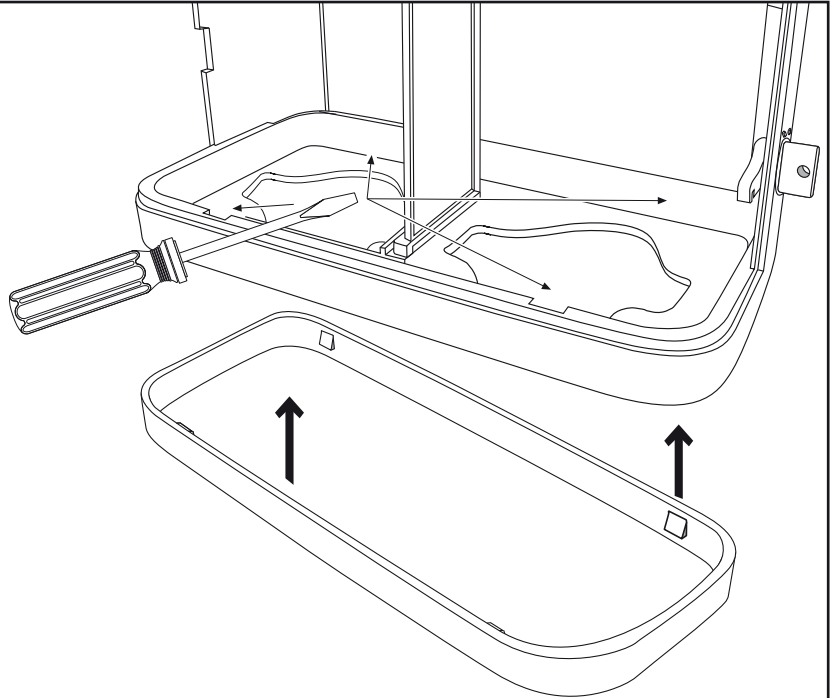
Single Sheet Toilet Paper Dispenser

Item No.: 331480

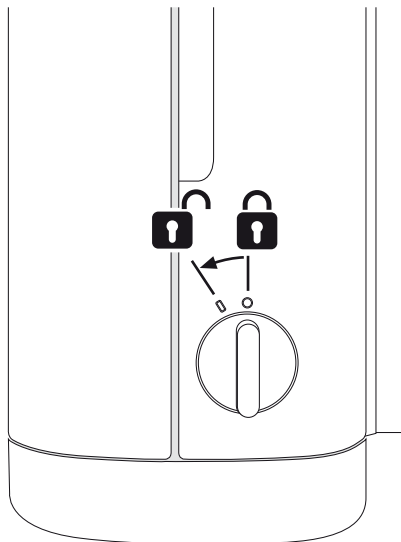
Design-ring



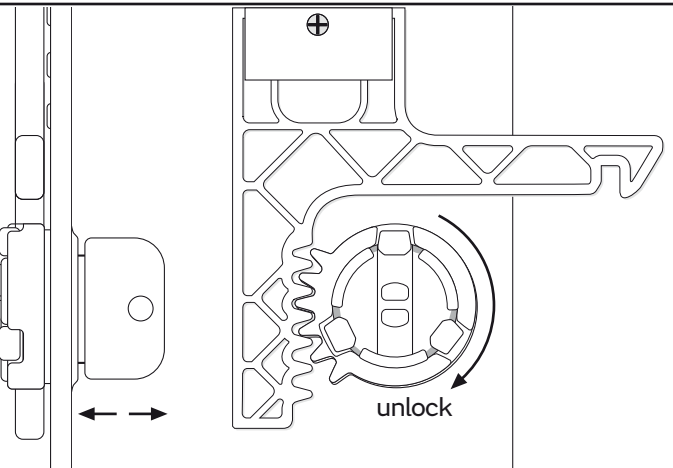
to remove, use screwdriver



Key-Lock



Standard Lock



Permanent Key

adjust Magic Ring with red side in front to lock the key

